


PRODUCT SHEET

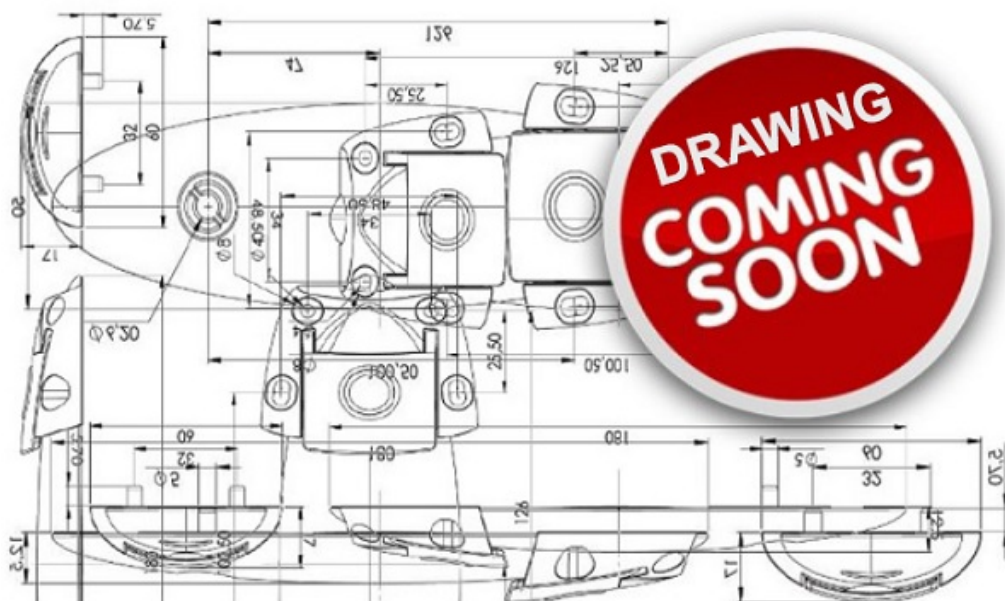
Description:

Plastic Tack, Nail-On Glide, 45x20x5mm, Brown PA, 2 Nails ø2x13mm

Item number:

10.25.330-0

Units	Box	Carton	HS Code	Barcode
Pcs.	0	100	3926300090	
				5704866107259



SISO A/S
Mileparken 11
DK-2740 Skovlunde
Denmark
VAT: DK 24786013

Phone +45 45 830 900
www.siso.dk
siso@siso.dk

Danske Bank
Nytorv Branch
Copenhagen
SWIFT: DABADKKK

Account no.
4180 3112 112936
IBAN Account
DK7230003112112936